

# Free-standing enclosure ES 5000



Photo shows a configuration example with equipment not included in the scope of supply.

### Material:

Sheet steel  
Enclosure: 1.5 mm  
Door: 2.0 mm  
Mounting plate: 2.0 mm

### Surface finish:

Enclosure and door:  
Dipcoat-primed,  
Powder-coated in textured  
Mounting plate: Zinc-plated

### Colour:

Normal RAL 7035 (Standard)  
Special RAL 7032

### Protection category:

1 door: IP 55 to EN 60 529/09.2000,  
2 doors: IP 43 to EN 60 529/09.2000,  
provided suitable gland plates  
are selected.

### Approvals:

- E.P.I.L  
- ISO 9001

### Supply includes:

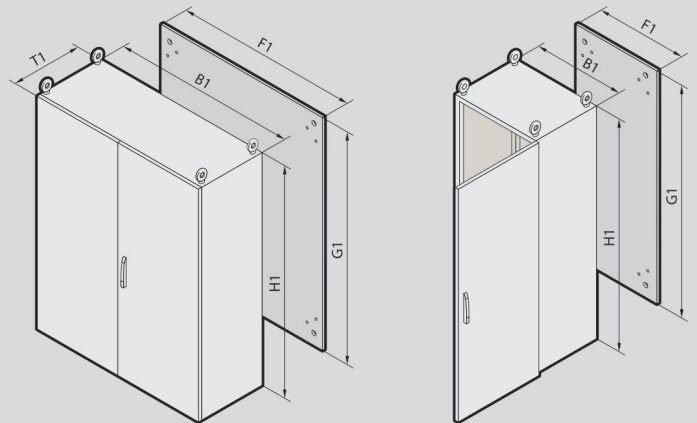
Enclosure with one door, or two doors according to tables below  
r/h door hinge, may be swapped to opposite side, mounting plate,  
base open for individual cable entry.



### Also required:

### Note: Special material can be stainless steel

- Enclosure: Stainless steel 1.4301 (AISI 1.5 ,304 mm)  
Door or double door and console lid: Stainless steel 1.4301 (AISI 2.0 ,304 mm)



Note: foundation with two different heights (100mm and 200mm) based on following table, can be ordered.

Width (B1) mm	Packs of	600	600	600	600	800	800	800	800	800	800
Height (H1) mm		1800	2000	2000	2200	1800	2000	2000	2000	2200	2200
Depth (T1) mm		400	500	600	600	400	500	600	800	600	800
Mounting plate width (F1) mm		507	507	507	507	707	707	707	707	707	707
Mounting plate height (G1) mm		1694	1894	1894	2190	1694	1894	1894	1894	2190	2190
Model No .ES	1	5684.500	5605.500	5606.500	5626.500	5884.500	5805.500	5806.500	5808.500	5826.500	5828.500
Door(s)		1	1	1	1	1	1	1	1	1	1

Width (B1) mm		1000	1000	1000	1000	1000	1000	1200	1200	1200	1200
Height (H1) mm		2000	2000	2200	2200	2000	2000	2000	2000	2200	2200
Depth (T1) mm		600	800	600	800	600	800	600	800	600	800
Mounting plate width (F1) mm		907	907	907	907	907	907	1107	1107	1107	1107
Mounting plate height (G1) mm		1894	1894	2190	2190	1894	1894	1894	1894	2190	2190
Model No .ES	1	5006.500	5008.500	5026.500	5028.200	5006.200	5008.200	5206.200	5208.200	5206.200	5208.200
Door(s)		1	1	1	1	2	2	2	2	2	2

### Accessories

Rear door	600			800			1000		
Height (H1) mm	1800	2000	2200	1800	2000	2200	1800	2000	2200
Model No .PS	4186.100	4206.100	4226.100	4188.100	4208.100	4228.100	4180.100	4200.100	4220.100
Rear door(s)	1								

Rear door	1000			1200		
Height (H1) mm	1800	2000	2200	1800	2000	2200
Model No .PS	4180.200	4200.200	4220.200	4182.200	4202.200	4222.200
Rear door(s)	2					